

PRIOR ART
FIG. 1

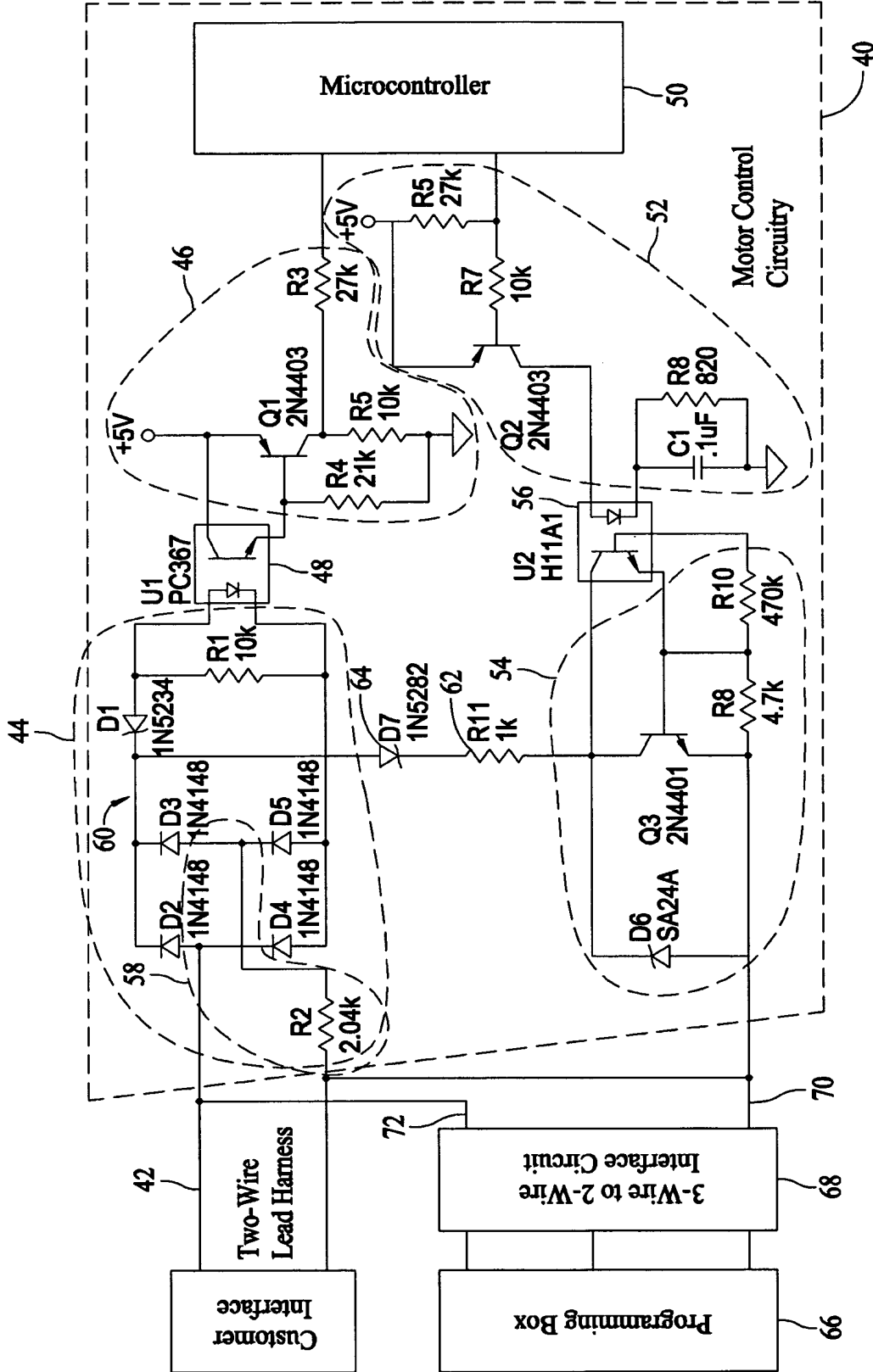


FIG. 2



Title: MOTOR CONTROL CIRCUIT;
 Inv.: Beifus, et al.;
 Serial No.: 09/681,718;
 Atty. Dkt. No.: 03DV-7119
 Patrick W. Rasche; (314) 621-5070

3/5

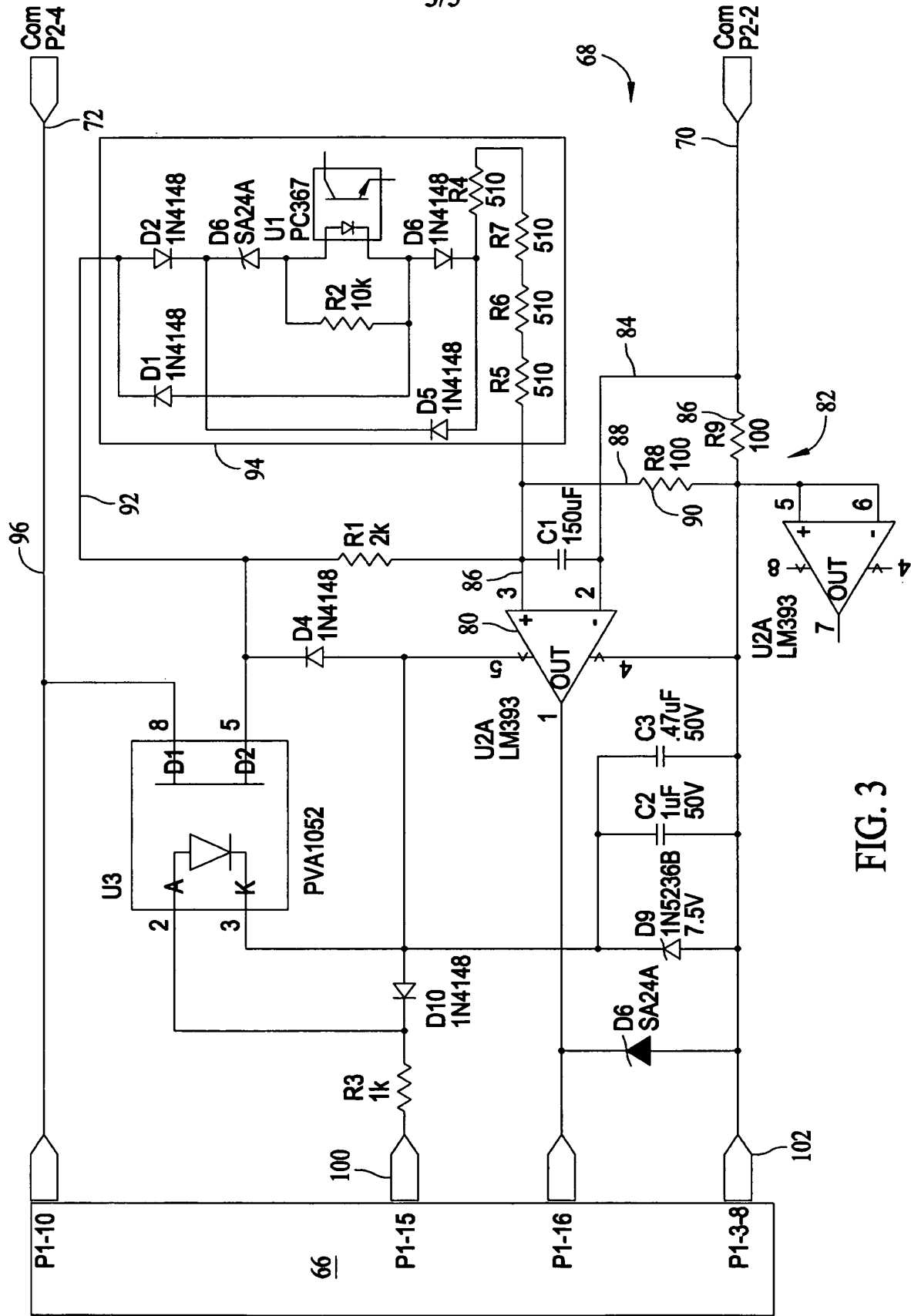


FIG. 3



Title: MOTOR CONTROL CIRCUIT;
Inv.: Beifus, et al.;
Serial No.: 09/681,718;
Atty. Dkt. No.: 03DV-7119
Patrick W. Rasche; (314) 621-5070

4/5

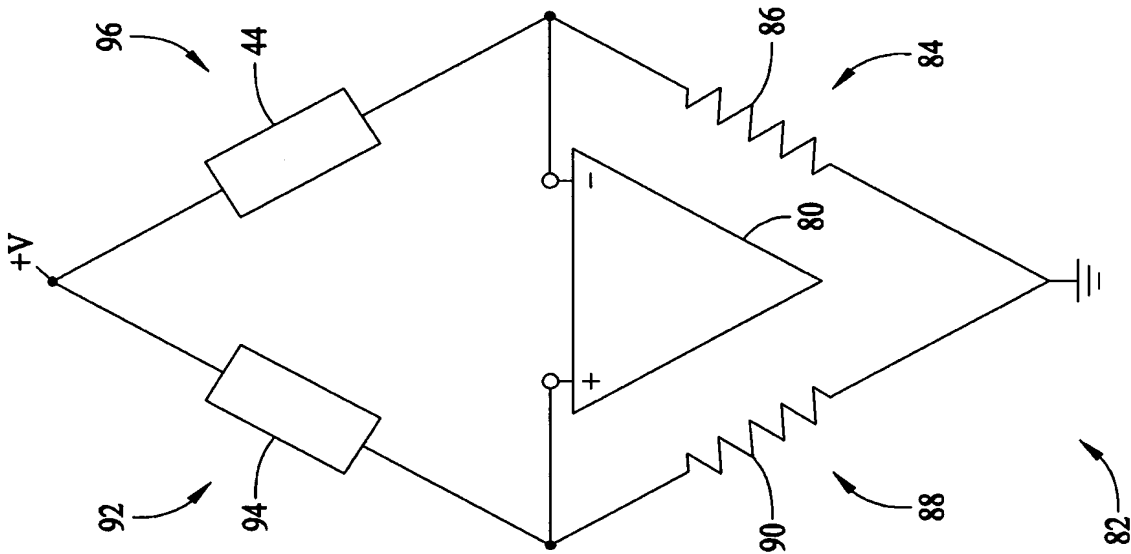
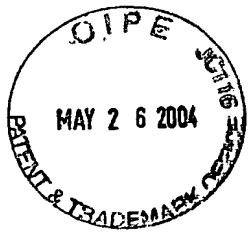


FIG. 4



Title: MOTOR CONTROL CIRCUIT;
Inv.: Beifus, et al.;
Serial No.: 09/681,718;
Atty. Dkt. No.: 03DV-7119
Patrick W. Rasche; (314) 621-5070

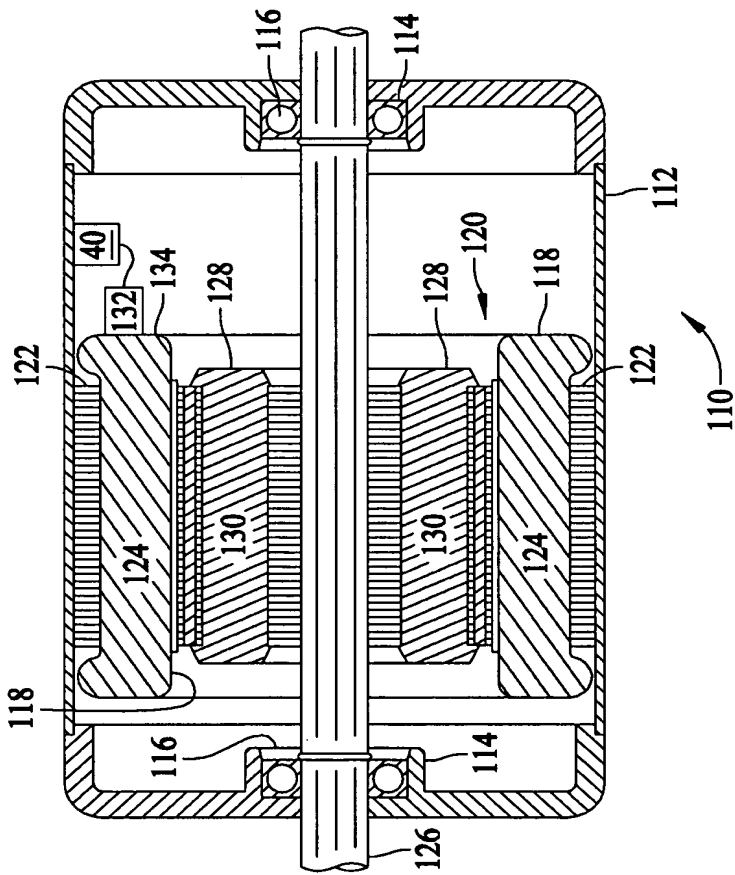


FIG. 5